



B6WBCLASSIC WINGLINES

**6' CLASSIC STYLE BENCH
WITH CONTOURED BACK
INGROUND MOUNT DESIGN**

RECEIVED

FEB 04 2014

COMMUNITY
DEVELOPMENT

WEBCOAT PRODUCTS
P.O. BOX 3160
McALESTER, OKLAHOMA 74501
1-800-505-5101
FAX: (918)426-5924
E-MAIL: WEBCOAT@WEBCOAT.COM

Please take the time to locate and identify each part. Assemble the units on a smooth flat surface. It is also helpful to lay the tops and seats on cardboard or a drop cloth to prevent scratching of the surface during assembly. All parts have been pre-cut and pre-drilled for ease of assembly. All holes are slotted to allow for easy assembly and for final levelling of tops and seats to frames. Fully assemble all parts without totally tightening nuts and bolts. After all assembled go back and retighten nuts to bolts. **DO NOT OVER TIGHTEN NUTS TO BOLTS.** Over tightened nuts can crack the plastisol coating. All the necessary quantities of parts required are listed in this assembly instructions.

DO NOT BEGIN ASSEMBLY UNTIL YOU HAVE READ THESE INSTRUCTIONS AND ARE FAMILIAR WITH THE PARTS.





Webcoat, Inc.

Phone: 800-505-5101

Fax: 918-426-5924

Email: webcoat@webcoat.com

Item Search:

Color Chart

Virtually any color for tops, seats, and frames is available with quantities. The VIP Standard colors are: Black, Blue, Brown, Burgundy, Clay, Gray, Green, Mariner Blue, Orange, Purple, Red, Teal, White, and Yellow. Frames come in Almond, Black, Blue, Brown, Burgundy, Orange, Galvanized, Gray, Green, Mariner Blue, Purple, Red, Teal, White, and Yellow. These ranges of style, colors, and frame configurations for tables and benches add to the distinctiveness of the location of which they are placed. Our Standard Colors are subject to change, we cannot guarantee the colors will match previous years. Colors shown here and throughout the catalog are approximate only. Please call and request actual samples, if needed.

Plastisol Colors

**VIP Mariner Blue****VIP Red****VIP Green****VIP Black****VIP Brown**

Proposed Bench Color

Huntco has the widest selection of commercial bike racks that can accommodate from one to twenty-one bikes. All of our bike racks provide safe and secure bike parking and come in a variety of configurations. Square tubing is offered as a deterrent to pipe cutters.

Bike Rack Finishes include Hot Dipped Galvanized, Powder Coat, Stainless Steel and Thermoplastic, but not all finishes are available on all products.

We easily fulfill requests for unique bike racks, whether it's one of a kind or 50 new designs.

From our most popular BR Series to the most exotic, custom-manufactured bike rack, all Huntco bicycle parking products are backed by the famous Huntco Warranty.

Huntco Supply, LLC

P.O. Box 10385

Portland, OR 97296

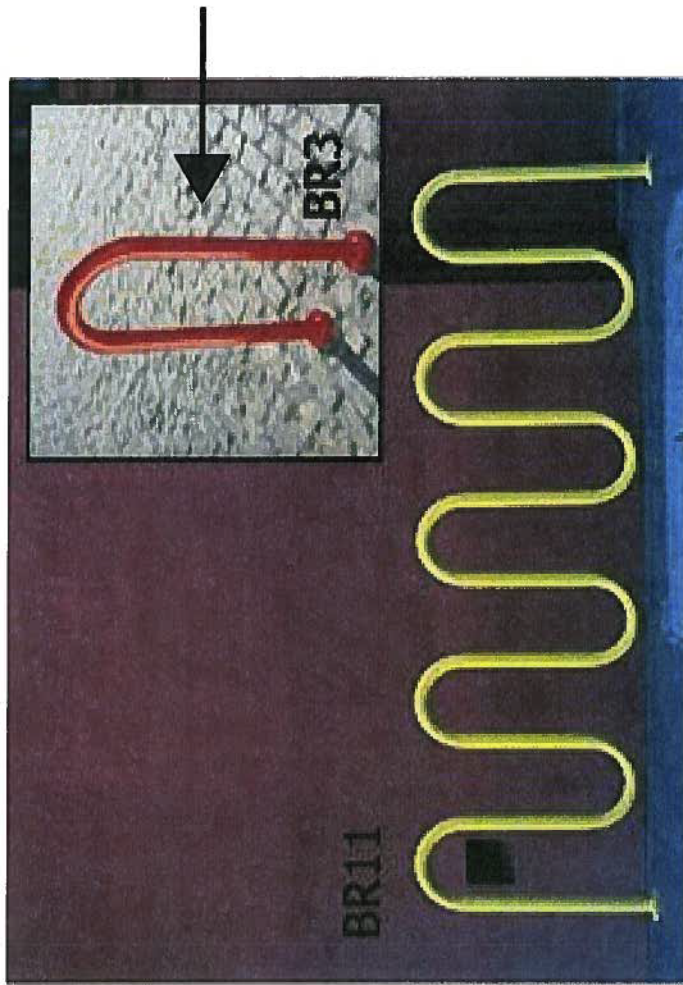
Tel: (503) 224-8700

Fax: (503) 274-2055

Tollfree: (800) 547-5909

E-mail: sales@huntco.com

Web site: <http://www.huntco.com>

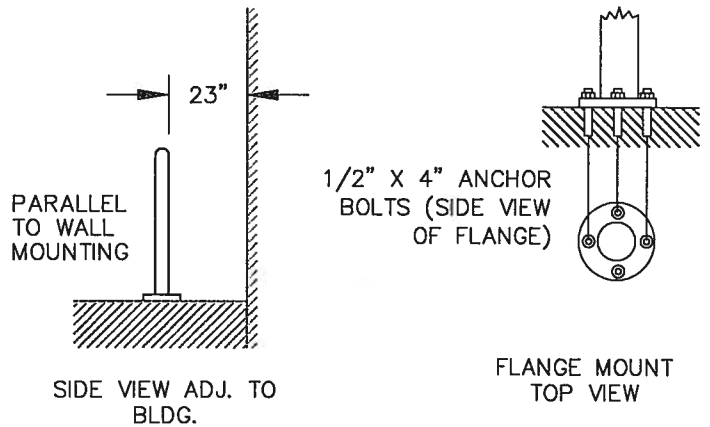
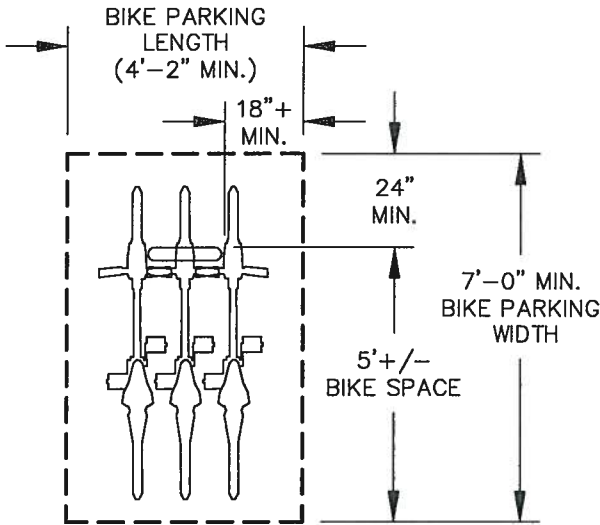
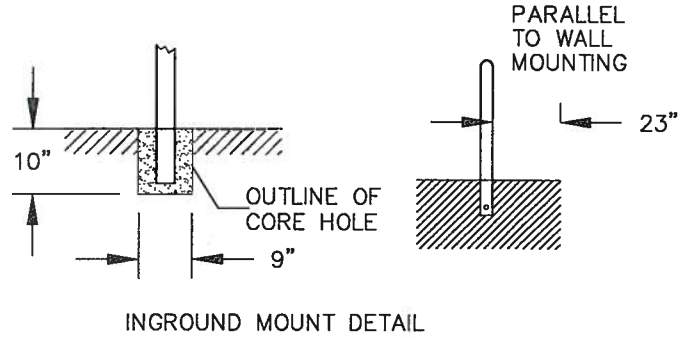
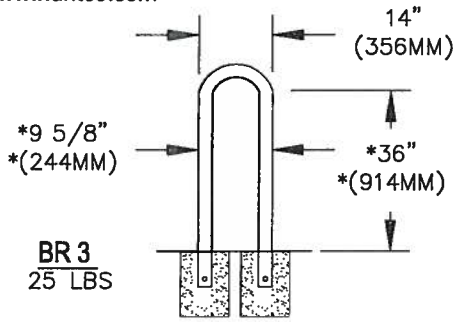


RECEIVED

FEB 04 2014

City of Portland

PORTLAND, OREGON 97296-0385
 PHONE: (503) 224-8700 or 1-800-547-5909
 FAX: (503) 274-2055
 www.huntco.com



NOTES:

1. INSTALLATION TO BE COMPLETED IN ACCORDANCE WITH MANUFACTURER'S SPECIFICATIONS.
2. DO NOT SCALE DRAWINGS.
3. *DIMENSIONS APPLY FOR ALL RACKS. OPTIONAL HEIGHT OF 42" (1067MM) IS AVAILABLE.
4. THE MODEL NUMBERS INDICATE THE NUMBER OF BIKES EACH BIKE RACK HOLDS.

BR SERIES BIKE LOOP RACKS

3 BIKE CAPACITY

NOT TO SCALE

RECEIVED
 FEB 04 2014
 COMMUNITY DEVELOPMENT